

Bourdon Tube Pressure Gauges

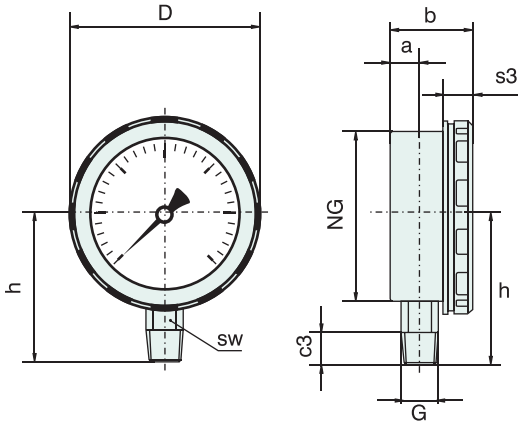
Phenolic With Screw Ring Case, Stainless Steel Tube and Socket
 Ø 63 mm (2½") and Ø 100 mm (4")
 Standard (BIP 063 / 100 DS) or Glycerine Filled (BIP 063 / 100 LS)

Models :
BIP 063 / 100 DS
BIP 063 / 100 LS

CASE CONFIGURATIONS AND DIMENSIONAL DATA

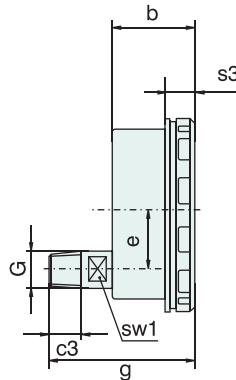
Bottom Connection

Code Letter : **A**



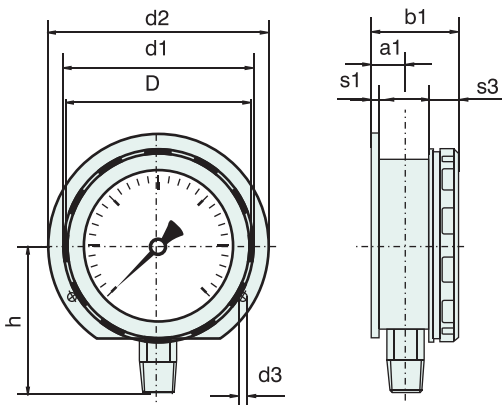
Lower Back Connection

Code Letter : **C**



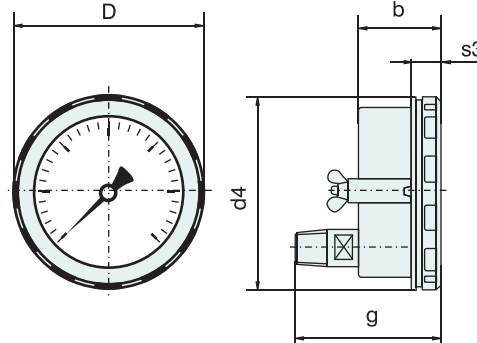
Bottom Connection Rear Flange for Panel Mounting

Code Letter : **B**



Lower Back Connection U-clamp for Panel Mounting

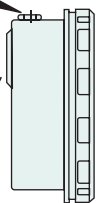
Code Letter : **H**



Safety blow-outs :

Liquid case : top blow-out assembly

Dry case : 1" blow-out in the back



Dimensional Data (mm) and Weight (kg)

Nominal Case Size	NG	a	a1	b	b1	c3	D	d1	d2	d3	d4	e
63 mm (2½")	63	10	13	32	35	13	75	75	85	3.6	73	18
100 mm (4")	100	18	22	49	52	19	113	116	132	4.8	110	34

Nominal Case Size	G	g	h±1	s1	s3	SW	Weight approx	
							Dry	Liquid Filled
63 mm (2½")	1/4" NPT	56	54	3	12	14	0.14	0.20
100 mm (4")	1/2" NPT	86.5	84	5	16	22	0.45	0.75