

## Bourdon Tube Pressure Gauges

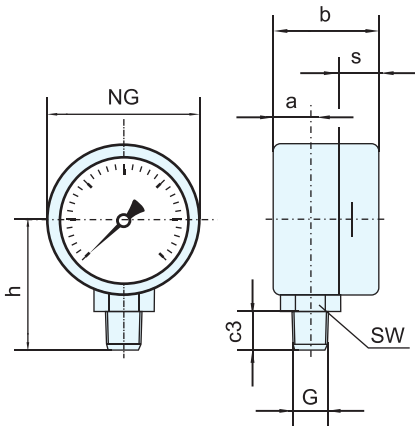
All Stainless Steel, Case With Bayonet Ring, Ø 40 mm (1½")  
Standard (BI 040 DS) or Glycerine Filled (BI 040 LS)

Models :  
**BI 040 DS**  
**BI 040 LS**

### CASE CONFIGURATIONS AND DIMENSIONAL DATA

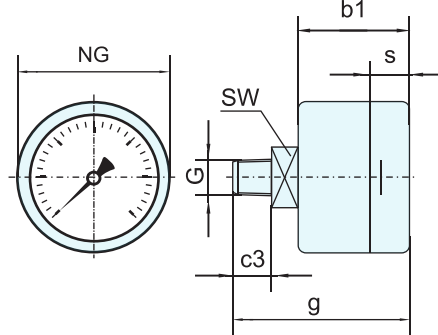
#### Bottom Connection

Code Letter : **A**



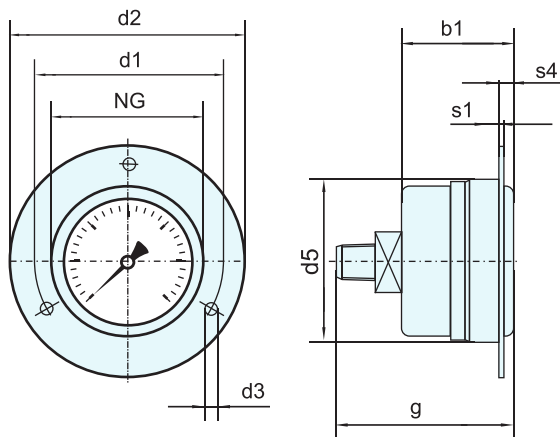
#### Center Back Connection

Code Letter : **E**



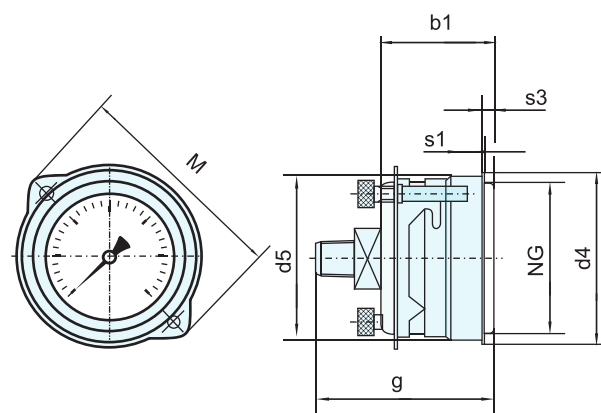
#### Center Back Connection Front Flange for Panel Mounting

Code Letter : **G**



#### Center Back Connection U-clamp for Panel Mounting

Code Letter : **I**



### Dimensional Data (mm) and Weight (kg)

Nominal Case Size	a	b	b1	c3	d1	d2	d3	d4	d5	g	h±1	M	s	s1	s3	s4	SW
40 mm (1½")	10	28	30	10	51	61	3.6	46	41.8	47	34.5	58	10.6	0.8	3.3	3.3	14

Nominal Case Size	<b>G</b>	Weight approx	
		Dry	Liquid Filled
40 mm (1½")	1/8" NPT 1/4" NPT	0.07	0.10