

Bourdon Tube Pressure Gauges

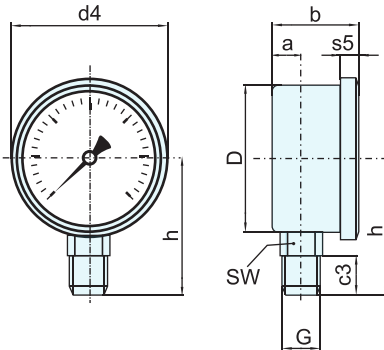
All Stainless Steel, Case With Crimped-on Ring, Ø 50 mm (2")
Standard (BI 050 DS) or Glycerine Filled (BI 050 LS)

Models :
BI 050 DS
BI 050 LS

CASE CONFIGURATIONS AND DIMENSIONAL DATA

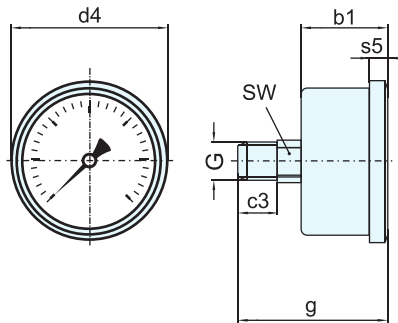
Bottom Connection

Code Letter : **A**



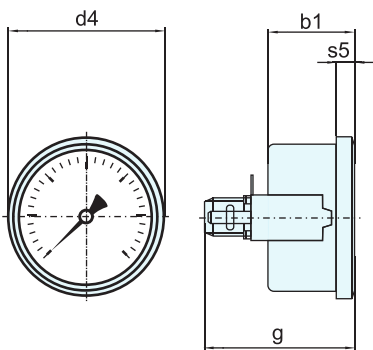
Center Back Connection

Code Letter : **E**



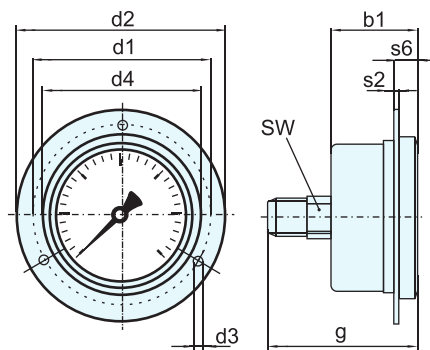
Center Back Connection U-clamp for Panel Mounting

Code Letter : **I**



Center Back Connection Front Flange for Panel Mounting

Code Letter : **G**



Dimensional Data (mm) and Weight (kg)

Nominal Case Size	D	a	b	b1	c3	d1	d2	d3	d4	g	h ± 1	s2	s5	s6	SW
50 mm (2")	48,5	10	29	31	13	60	71	3,6	54	50	45	1	6	7,5	14

Nominal Case Size	G	Weight approx	
		Dry	Liquid Filled
50 mm (2")	1/4" NPT	0.09	0.13

Recommended panel holes

Code Letter I : Ø 51 ± 0,5 mm

Code Letter G : Ø 54 ± 0,3 mm