

Bourdon Tube Pressure Gauges

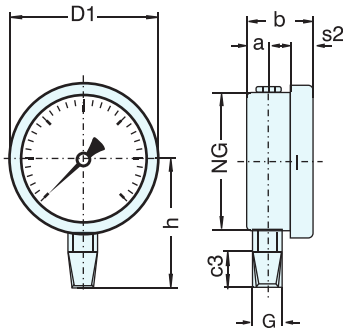
All Stainless Steel, Case With Bayonet Wide Ring, Ø 63 mm (2½")
Standard (BIA 063 DS) or Glycerine Filled (BIA 063 LS)

Models :
BIA 063 DS
BIA 063 LS

CASE CONFIGURATIONS AND DIMENSIONAL DATA

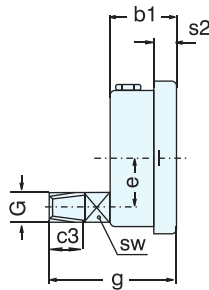
Bottom Connection

Code Letter : **A**



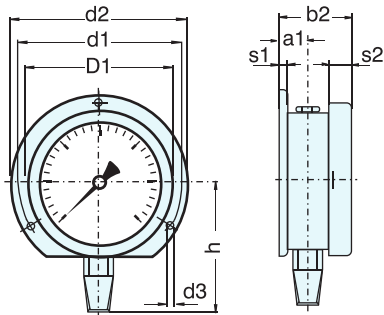
Lower Back Connection

Code Letter : **C**



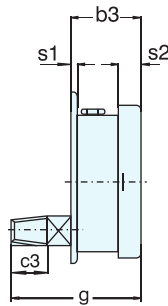
Bottom Connection Rear Flange for Panel Mounting

Code Letter : **B**



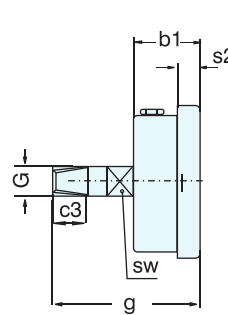
Lower Back Connection Rear Flange for Panel Mounting

Code Letter : **D**



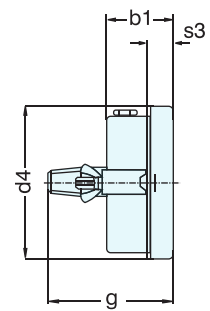
Center Back Connection

Code Letter : **E**



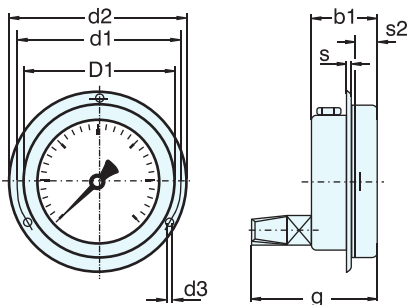
Center Back Connection U-clamp for Panel Mounting

Code Letter : **I**



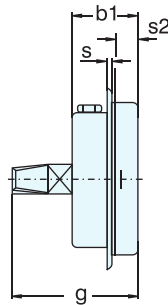
Lower Back Connection, Front Flange for Panel Mounting

Code Letter : **J**



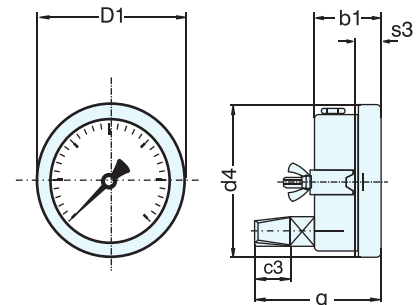
Center Back Connection, Front Flange for Panel Mounting

Code Letter : **G**



Lower Back Connection U-clamp for Panel Mounting

Code Letter : **H**



Dimensional Data (mm) and Weight (kg)

Nominal Case Size	D1	a	a1	b	b1	b2	b3	c3	d1	d2	d3	d4	e
63 mm (2½")	68.5	9.5	13.5	31	37	35	41	15	75	85	3.6	67	18
Nominal Case Size	g	h±1	s	s1	s2	s3	SW	G	Weight approx				
63 mm (2½")	60	57	3	5	11	14	14	1/4"NPT	Dry	Liquid Filled			
									0.18	0.25			