

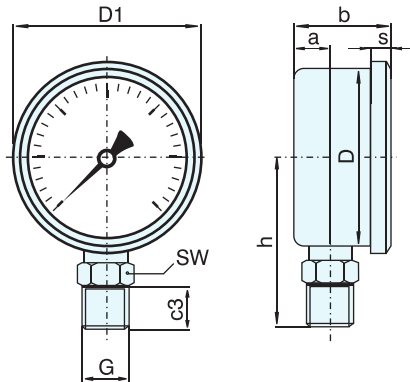
Bourdon Tube Pressure Gauges

All Stainless Steel, Case With Crimped-on Ring, Ø 80 mm (3")
Standard (BI 080 DS) or Glycerine Filled (BI 080 LS)

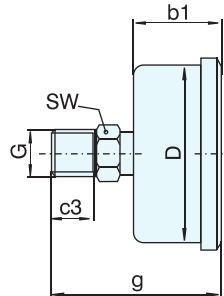
Models :
BI 080 DS
BI 080 LS

CASE CONFIGURATIONS AND DIMENSIONAL DATA

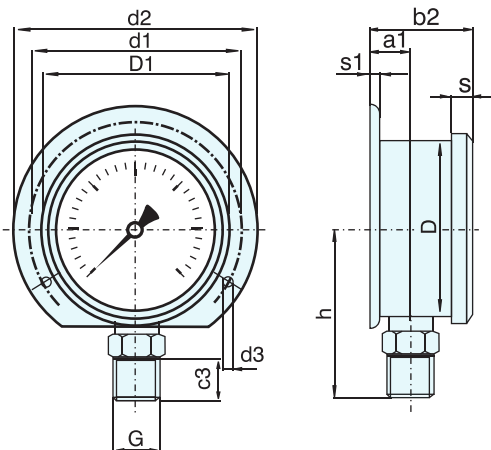
Bottom Connection,
Code Letter : **A**



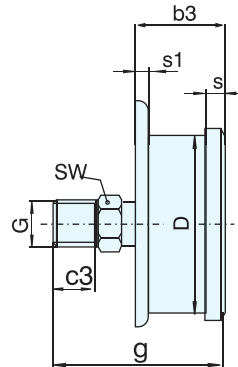
Center Back Connection,
Code Letter : **E**



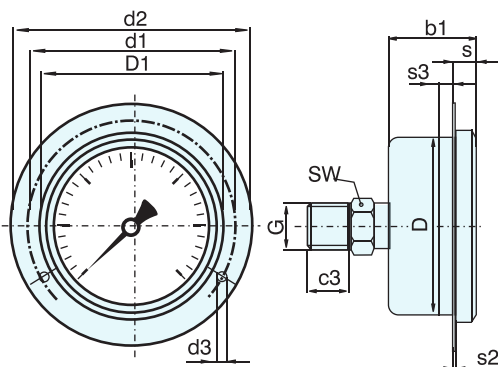
Bottom Connection,
Rear Flange for Panel Mounting
Code Letter : **B**



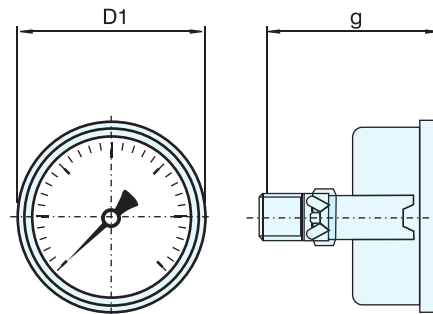
Center Back Connection,
Rear Flange for Panel Mounting
Code Letter : **F**



Center Back Connection,
Front Flange for Panel Mounting
Code Letter : **G**



Center Back Connection,
U-clamp For Panel Mounting,
Code Letter : **I**



Dimensional Data (mm) and Weight (kg)

Nominal Case Size	D	D1	a	a1	b	b1	b2	b3	c3	d1	d2	d3	h	s	s1
80 mm (3")	79	86	16	21	44	38.5	46	40.5	19	95	110	4.8	76	9	5
Nominal Case Size	s2	s3	SW	G	Weight approx										
80 mm (3")	1	6	22	1/2"NPT	Dry	Liquid Filled									
					0.34	0.50									

Recommended panel cut-out:
Code Letter I : $\varnothing 81 \pm .5$ mm
Code Letter G : $\varnothing 84 \pm .5$ mm