

Bourdon Tube Pressure Gauges

All Stainless Steel, Case With Bayonet Ring

Ø 100 mm (4") and Ø 160 mm (6")

Standard (BI 100 / 160 DS) or Glycerine Filled (BI 100 / 160 LS)

Models :

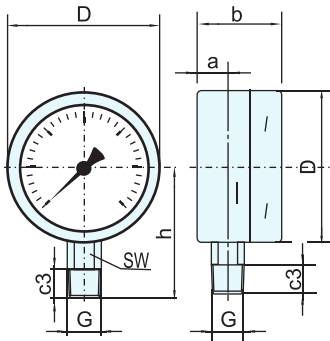
BI 100 DS/BI 160 DS

BI 100 LS/BI 160 LS

CASE CONFIGURATIONS AND DIMENSIONAL DATA

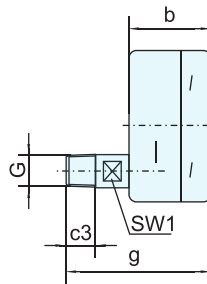
Bottom Connection

Code Letter : **A**



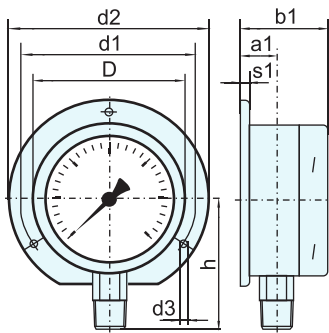
Lower Back Connection

Code Letter : **C**



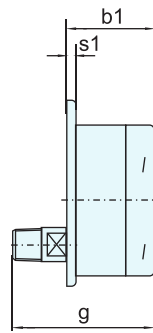
Bottom Connection, Rear Flange for Panel Mounting

Code Letter : **B**



Lower Back Connection, Rear Flange for Panel Mounting

Code Letter : **D**

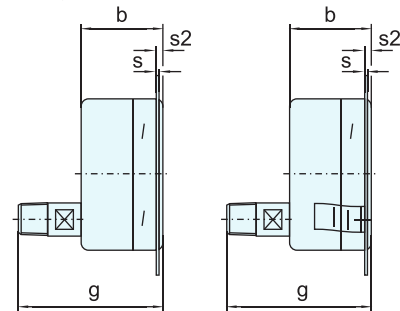


Lower Back Connection, Front Flange for Panel Mounting

Code Letter : **J**

Dry case version

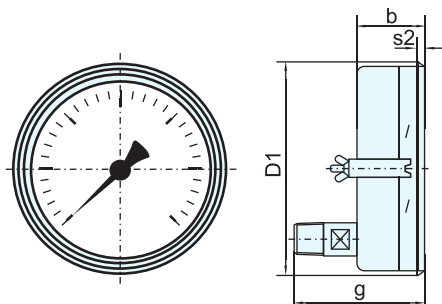
Liquid filled case version



Ø 160 mm (6"), Dry version only

Lower Back Connection, U-clamp for Panel Mounting,

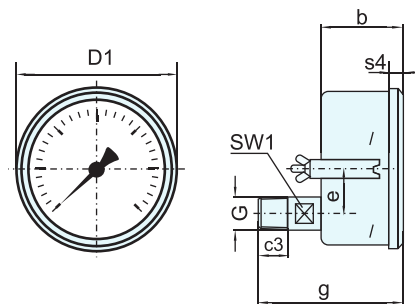
Code Letter : **H**



Ø 100 mm (4")

Lower Back Connection, U-clamp for Panel Mounting, Crimped-on Ring,

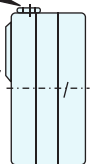
Code Letter : **H**



Safety blow-outs :

Top blow-out device for Ø 160 mm (6"), Liquid

Blow-out Ø 40 mm (1.57") for Ø 100 mm (4")
Dry and Liquid filled
Also for Ø 160 mm (6"), Dry



Dimensional Data (mm) and Weight (kg)

Nominal Case Size	D	D1	a	a1	b	b1	c3	d1	d2	d3	e	g	h
100 mm (4")	101	106	20	23.5	55	58.5	19	116	132	4.8	30	96	84
160 mm (6")	161	167	15.5	19	51	54		178	196	5.8	52	91.5	114
Nominal Case Size	s	s1	s2	s3	s4	SW	SW1	G		Weight approx			
100 mm (4")	2	6	6	1	10	22	17	1/2" NPT		Dry	0.60		0.95
160 mm (6")										Liquid Filled	1.10		1.95