

Bourdon Tube Pressure Gauges

All Stainless Steel, Case With Bayonet Wide Ring

Ø 100 mm (4") and Ø 160 mm (6")

Standard (BIA 100 / 160 DS) or Glycerine Filled (BIA 100 / 160 LS)

Models :

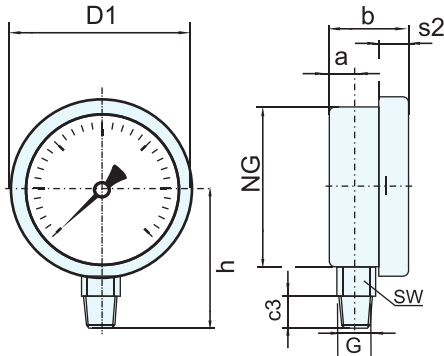
BIA 100 DS / BIA 160 DS

BIA 100 LS / BIA 160 LS

CASE CONFIGURATIONS AND DIMENSIONAL DATA

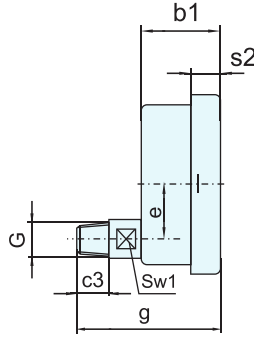
Bottom Connection

Code Letter : **A**



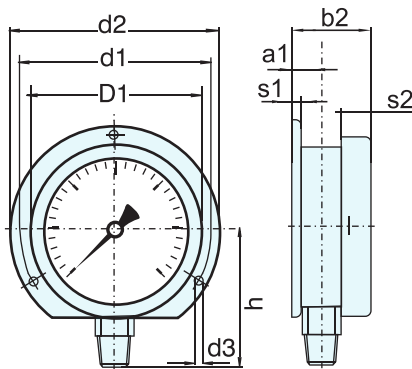
Lower Back Connection

Code Letter : **C**



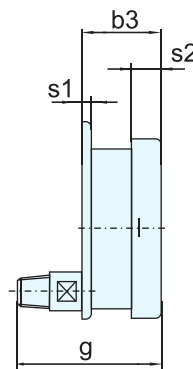
Bottom Connection, Rear Flange for Panel Mounting

Code Letter : **B**



Lower Back Connection, Rear Flange for Panel Mounting

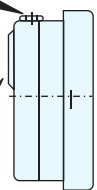
Code Letter : **D**



Safety blow-outs :

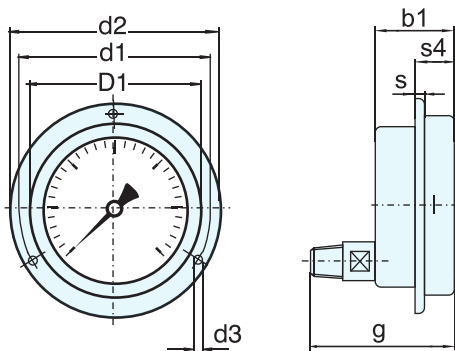
Liquid case : top blow-out assembly

Dry case : 1" blow-out in the back



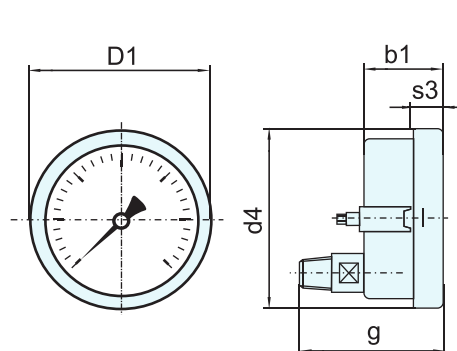
Lower Back Connection, Front Flange for Panel Mounting

Code Letter : **J**



Lower Back Connection, U-clamp for Panel Mounting

Code Letter : **H**



Dimensional Data (mm) and Weight (kg)

Nominal Case Size	D1	a	a1	b	b1	b2	b3	c3	d1	d2	d3	d4	e	g
100 mm (4")	112	16	18	49	49	51	51	21.5	116	132	4.8	110	34	90
160 mm (6")	173			50	56	52	58		178	196	5.8	172	52	97

Nominal Case Size	h±1	s	s1	s2	s3	s4	SW1	G	Weight approx	
									Dry	Liquid Filled
100 mm (4")	84	5	5.5	18	20	24	17	1/4" NPT 1/2" NPT	0.55	0.85
160 mm (6")	114	4	6	17	22				1.00	1.85