

Bourdon Tube Pressure Gauges

Square Case With Front Frame,

□ 96 mm and □ 144 mm

Wide Rim (BIQW) or Narrow Rim (BIQN)

Models :
BIQW / BIQN

APPLICATIONS

For fluid and gaseous, aggressive media which are not highly viscous and do not tend to polymerize. The medium must be compatible with the wetted parts; for various applications where a built-in square case is required, e.g. switchboard, electrical control panels, or control boxes

NOMINAL CASE SIZES

96 x 96 mm and 144 x 144 mm

ACCURACY CLASS

1.0 according to EN 837-1
(i.e. max. ± 1.0% of full scale value)

PRESSURE RANGES (EN / ASME 837)

0-0.6 up to 0-1000 bar (0-10 up to 0-15.000 psi)
also all standard vacuum and compound ranges

STANDARD CONFIGURATION

CASE

Square case with black front frame (carbon steel), model BIQN narrow rim, model BIQW with wide rim, clamp clip for panel mounting

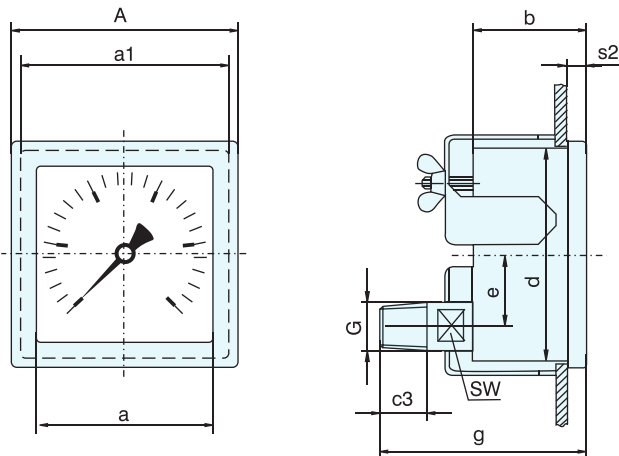
CONNECTION

1/2" NPT lower back connection (standard)

WETTED PARTS

- Version B** : Socket = brass
Bourdon Tube = bronze
- Version S** : Socket = Stainless steel 316 L
Bourdon Tube = Stainless steel 316 L

CASE CONFIGURATIONS AND DIMENSIONAL DATA



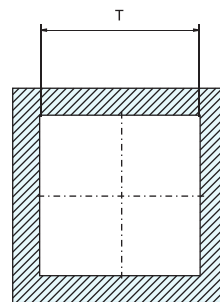
OPTIONAL SPECIAL CONFIGURATIONS

- ⇒ 1/4" NPT or 1/2" BSP - Connection (other connection threads upon request)
- ⇒ Special scales or dual ranges
- ⇒ Receiver gauge 0.2-1 bar or 3-15 psi
- ⇒ **Electrical accessories upon request**

HOW TO ORDER

Please select :

- 1. Model code : BIQN or BIQW
- 2. Case size : 96 or 144 mm
- 3. D = Dry / Standard
- 4. Tube and socket material :
S = Stainless steel AISI 316 L
B = Brass



Opening hole for panel mounting

Dimensional Data (mm) and Weight (kg)

Nom. Size A	a ¹⁾	a ^{1°}	b	c3	d	e	G	g	s2	SW	T	Weight (approx.)
96	75	88			90	30					92	0.75
144	116	134	48	19	136	52	1/2" NPT	87	8	17	138	1.30
192	164	-			184						186	2.00

- 1) model BIQW
- 2) model BIQN